



EC9118 Synchronous Step-Up DC-DC Converter with PFM Control

Features

- External parts: Coil, capacitor
- Output voltage: Settable to between 2.1V to 5.5V in 0.1V steps
- Maximum Oscillation frequency :300KHz
- Accuracy of $\pm 2\%$
- High efficiency :95%
- Package: SOT23,SOT23-3,SOT23-5,SOT89 and TO92

Applications

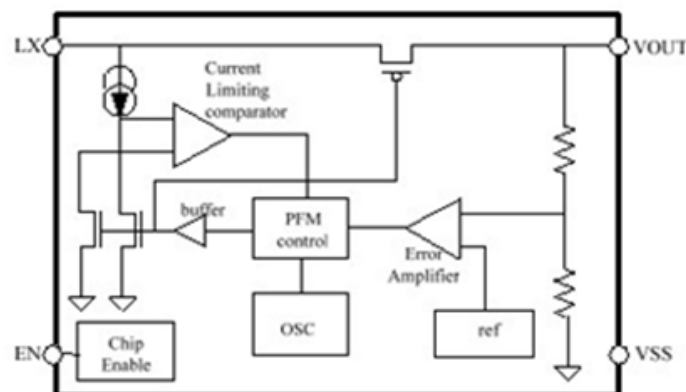
- Digital cameras
- Electronic notebooks and PDAS
- Portable CD/MD players
- Cameras , video equipment
- Communications equipment
- Power supply for microcomputers

General Description

The EC9118 Series is a Synchronous step-up DC/DC Converter with PFM Control. With the EC9118Series, a step-up switching DC/DC converter can be configured by using

an external coil , capacitor. The built-in MOSFET is turned off by a protection circuit when the voltage at the LX pin exceeds the limit to prevent it from being damaged.

Block Diagram



Order Information

EC9118①②③④⑤

Designator	Symbol	Description
①	A	Standard
	B	Another pin definition
②③	Integer	Output Voltage (2.1~5.5) e.g:3.0V=②: 3; ③: 0
④	T	Package:TO-92
	P	Package:SOT89
	M	Package:SOT23-3
	M5	Package:SOT23-5
	N	Package:SOT23
⑤	R	RoHS / Pb Free
	G	Halogen Free



EC9118 Synchronous Step-Up DC-DC Converter with PFM Control

Pin Assignment

SOT23 and SOT23-3(Top view)

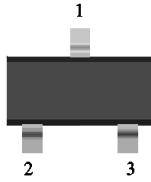


Table1 EC9118A series (SOT23/SOT23-3 PKG)

PIN NO.	PIN NAME	FUNCTION
1	VOUT	Output voltage pin
2	GND	GND pin
3	LX	External inductor connection pin

SOT23-5(Top view)

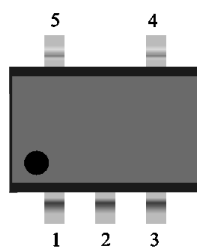


Table2 EC9118A series (SOT23-5 PKG)

PIN NO.	PIN NAME	FUNCTION
1	EN	Shutdown pin "H": Normal operation "L": Step-up stopped
2	VOUT	Output voltage pin
3	NC	(N.C.)
4	GND	GND pin
5	LX	External inductor connection pin

SOT89 (Top view)

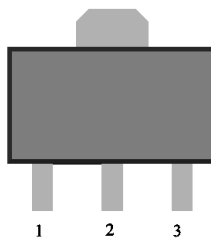


Table3 EC9118A series (SOT89 PKG)

PIN NO.	PIN NAME	FUNCTION
1	GND	GND pin
2	VOUT	Output voltage pin
3	LX	External inductor connection pin

TO92 (Front view)

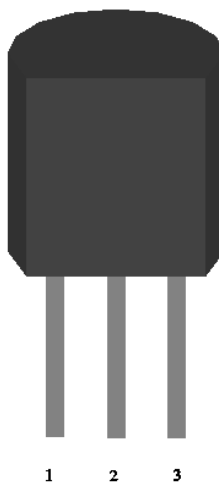


Table4 EC9118A series (TO92 PKG)

PIN NO.	PIN NAME	FUNCTION
1	GND	GND pin
2	VOUT	Output voltage pin
3	LX	External inductor connection pin

Table3 EC9118B series (TO92PKG)

PIN NO.	PIN NAME	FUNCTION
1	VOUT	Output voltage pin
2	GND	GND pin
3	LX	External inductor connection pin



EC9118 Synchronous Step-Up DC-DC Converter with PFM Control

Marking Rule

① ② product code: B1

③ output voltage code:

Symbol	Voltage(V)	Symbol	Voltage(V)	Symbol	Voltage(V)	Symbol	Voltage(V)
a	0.9	A	3.5	n	2.2	N	4.8
b	1.0	B	3.6	o	2.3	O	4.9
c	1.1	C	3.7	P	2.4	P	5.0
d	1.2	D	3.8	q	2.5	Q	5.1
e	1.3	E	3.9	r	2.6	R	5.2
f	1.4	F	4.0	s	2.7	S	5.3
g	1.5	G	4.1	t	2.8	T	5.4
h	1.6	H	4.2	u	2.9	U	5.5
i	1.7	I	4.3	v	3.0	V	5.6
j	1.8	J	4.4	w	3.1	W	5.7
k	1.9	K	4.5	x	3.2	X	5.8
l	2.0	L	4.6	y	3.3	Y	5.9
m	2.1	M	4.7	z	3.4	Z	6.0



EC9118 Synchronous Step-Up DC-DC Converter with PFM Control

Absolute Maximum Ratings

(Unless otherwise specified, Ta=25°C)

PARAMETER		SYMBOL	RATINGS	UNITS
VOUT Pin Voltage		V _{OUT}	V _{SS} -0.3~V _{SS} +8	V
EN Pin Voltage		EN	V _{SS} -0.3~V _{SS} +8	V
LX Pin Voltage		V _{LX}	V _{SS} -0.3~V _{SS} +8	V
LX Pin Current		I _{LX}	1000	mA
Power Dissipation	SOT23	PD	250	mW
	SOT23-3/SOT23-5		250	mW
	SOT-89-3		500	mW
	TO-92		500	mW
Operating Temperature		T _{OPR}	-40~+85	°C
Storage Temperature		T _{STG}	-40~+125	°C
Soldering Temperature & Time		T _{SOLDER}	260°C, 10s	

Note: These are stress ratings only. Stresses exceeding the range specified under “Absolute Maximum Ratings” may cause substantial damage to the device. Functional operation of this device at other conditions beyond those listed in the specification is not implied and prolonged exposure to extreme conditions may affect device reliability.

Electrical Characteristics

(Unless otherwise specified, Ta = 25°C)

PARAMETER	SYMBOL	MIN	TYP	MAX	UNITS	CONDITION
Output Voltage	V _{OUT}	V _{OUT(S)} X0.98	V _{OUT}	V _{OUT(S)} X1.02	V	-
Input Voltage	V _{IN}	-	-	7.5	V	-
Operation Start Voltage	V _{ST1}	-	-	0.9	V	I _{OUT} =1mA, V _{OUT} =2.2V~4.2V
Operation Start Voltage	V _{ST2}	-	-	1.2	V	I _{OUT} =1mA, V _{OUT} =4.2V~5.5V
Input Current At No Load	I _{SS1}	-	15	-	uA	V _{IN} =1.8V, V _{OUT} =3.0V
Current Consumption 2	I _{SS2}	-	6	10	uA	V _{OUT} =V _{OUT(S)} +0.5V
Current Consumption During Shutdown	I _{SSS}	-	-	1.0	uA	V _{EN} =0V
Maximum Oscillation Frequency	fosc		300		KHz	V _{OUT} =0.95xV _{OUT(S)} , measure Waveform at LX pin
Duty Ratio1	Duty1	70	78	85	%	V _{OUT} =0.95xV _{OUT(S)}
Efficiency	EFF1		90		%	
Shutdown Pin Input Voltage	V _{SH}	0.75	-	-	V	V _{OUT} =0.95xV _{OUT(S)} , judge Oscillation at LX pin
	V _{SL}	-	-	0.3	V	V _{OUT} =0.95xV _{OUT(S)} , judge stop at LX pin
Shutdown Pin input Current	I _{SH}	-0.1	-	0.1	uA	V _{EN} =6V
	I _{SL}	-0.1	-	0.1	uA	V _{EN} =0V

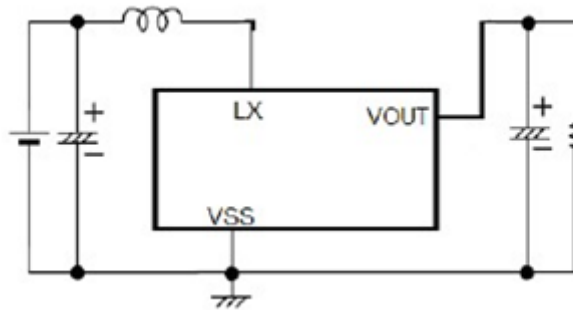
Remark: V_{OUT(S)} specified above is the set output voltage value, and V_{OUT} is the typical value of the actual output voltage



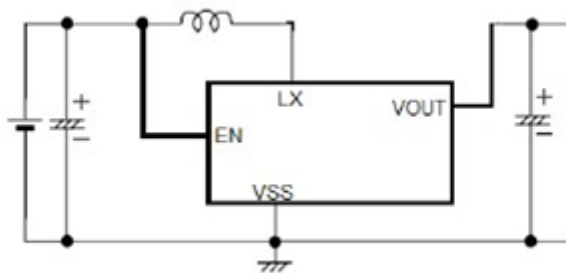
EC9118 Synchronous Step-Up DC-DC Converter with PFM Control

Application Circuits

1) EC9118 without CE



2) EC9118 with CE



Note: External Component Recommendation:

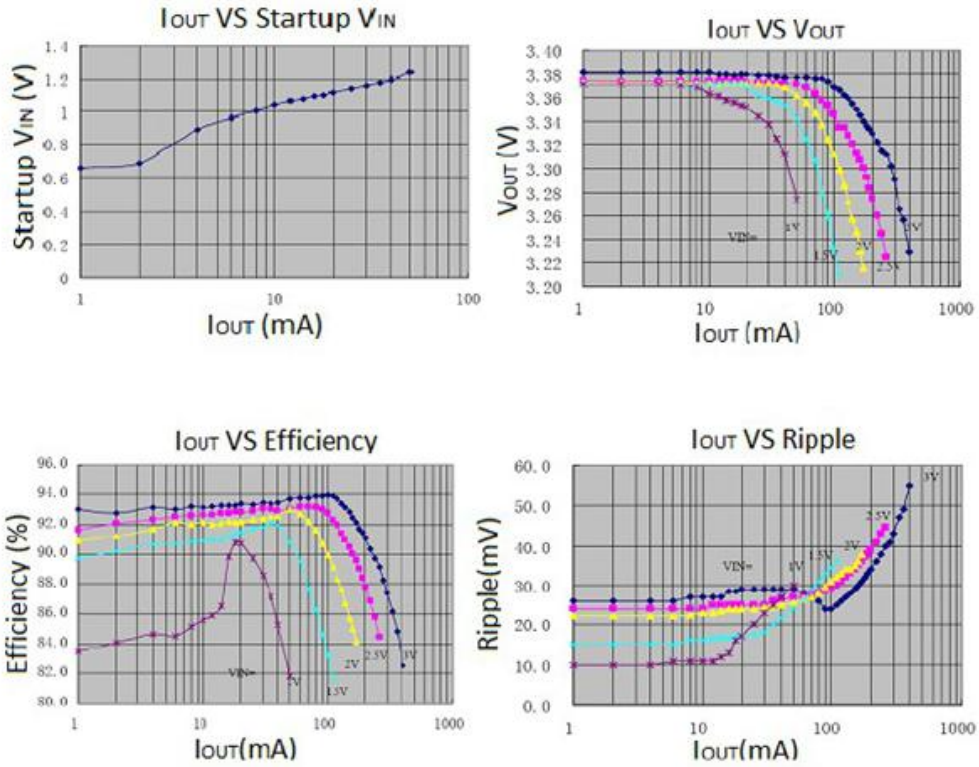
- 1) $L=47\mu\text{H}$ (Sumida)
- 2) $C_F=100\mu\text{F}/16\text{V}$ (Tantalum)



EC9118 Synchronous Step-Up DC-DC Converter with PFM Control

TYPICAL PERFORMANCE CHARACTERISTICS

($C_{in}=C_{out}=100\mu F, L=47\mu H$)

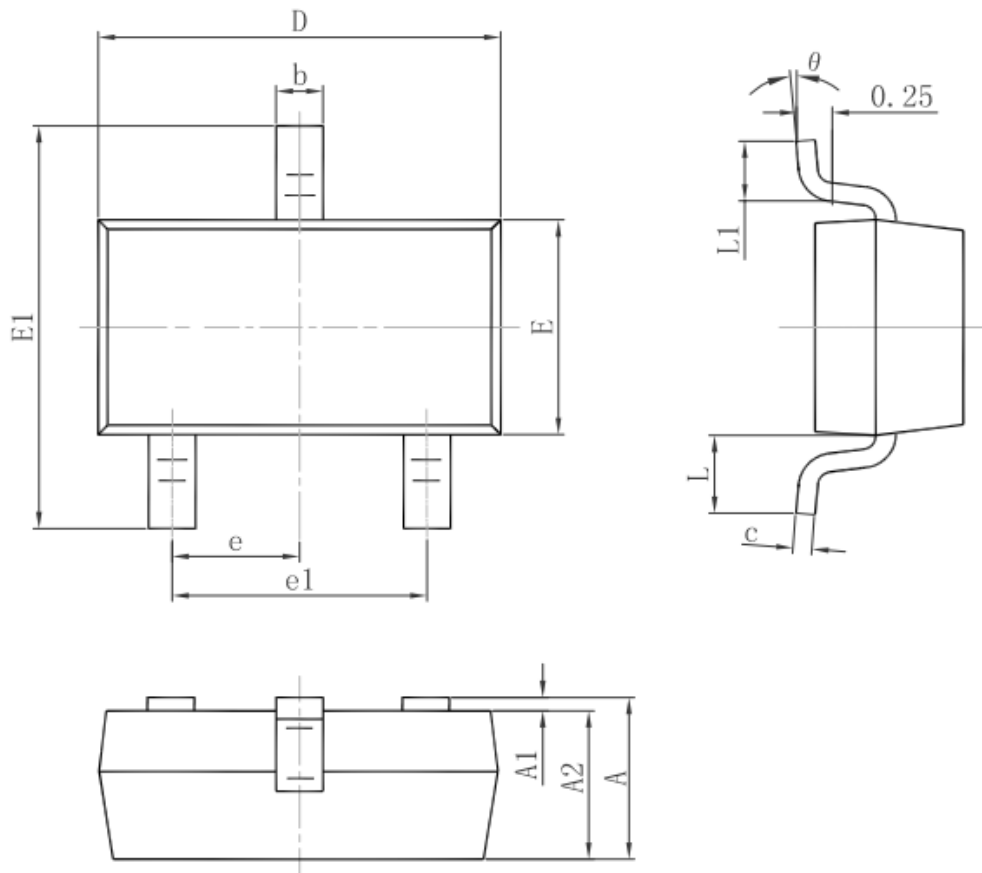




EC9118 Synchronous Step-Up DC-DC Converter with PFM Control

Package Information

3-pin SOT23 Outline Dimensions

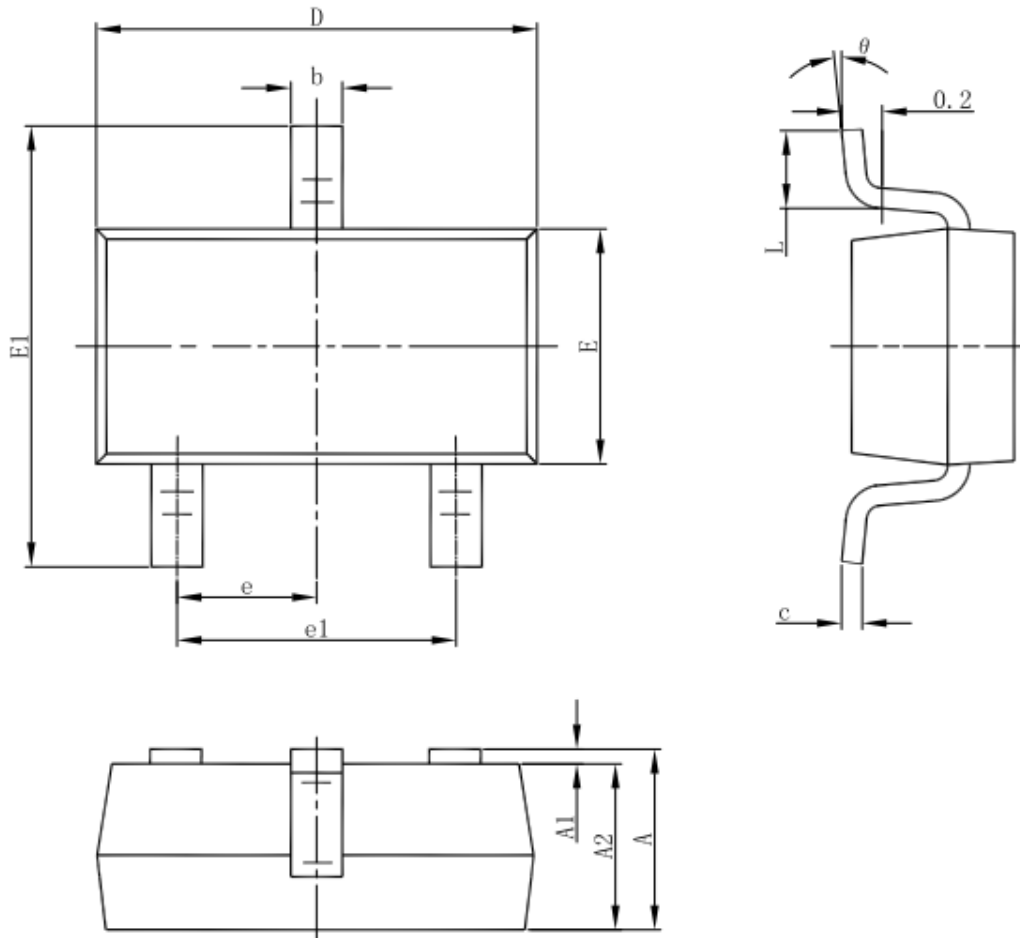


Symbol	Dimensions In Millimeters		Dimensions In Inches	
	Min.	Max.	Min.	Max.
A	0.900	1.150	0.035	0.045
A1	0.000	0.100	0.000	0.004
A2	0.900	1.050	0.035	0.041
b	0.300	0.500	0.012	0.020
c	0.080	0.150	0.003	0.006
D	2.800	3.000	0.110	0.118
E	1.200	1.400	0.047	0.055
E1	2.250	2.550	0.089	0.100
e	0.950 TYP.		0.037 TYP.	
e1	1.800	2.000	0.071	0.079
L	0.550 REF.		0.022 REF.	
L1	0.300	0.500	0.012	0.020
θ	0°	8°	0°	8°



EC9118 Synchronous Step-Up DC-DC Converter with PFM Control

3-pin SOT23-3 Outline Dimensions

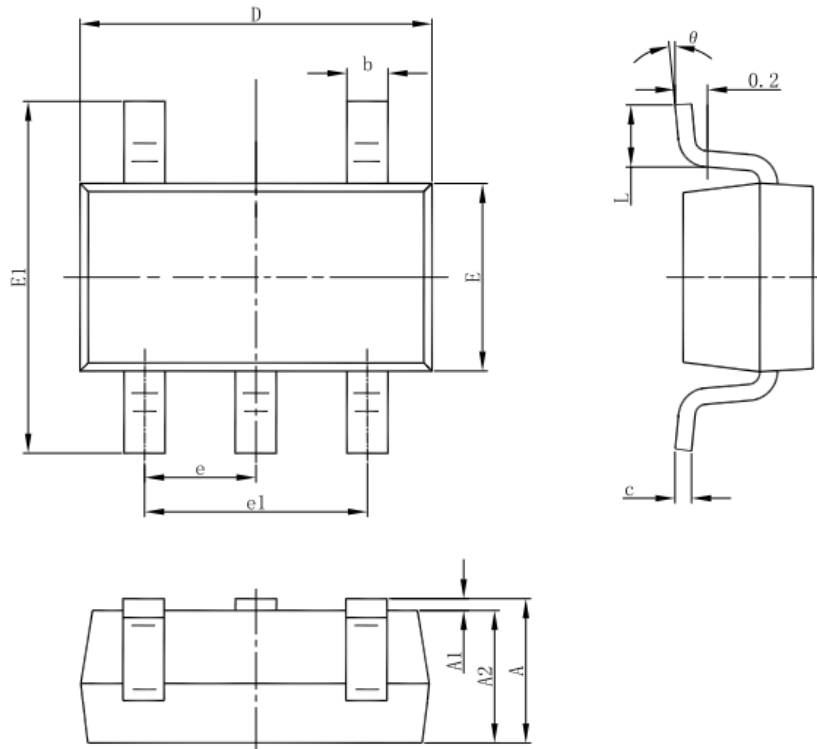


Symbol	Dimensions In Millimeters		Dimensions In Inches	
	Min	Max	Min	Max
A	1.050	1.250	0.041	0.049
A1	0.000	0.100	0.000	0.004
A2	1.050	1.150	0.041	0.045
b	0.300	0.500	0.012	0.020
c	0.100	0.200	0.004	0.008
D	2.820	3.020	0.111	0.119
E	1.500	1.700	0.059	0.067
E1	2.650	2.950	0.104	0.116
e	0.950(BSC)		0.037(BSC)	
e1	1.800	2.000	0.071	0.079
L	0.300	0.600	0.012	0.024
θ	0°	8°	0°	8°



EC9118 Synchronous Step-Up DC-DC Converter with PFM Control

5-pin SOT23-5L Outline Dimensions

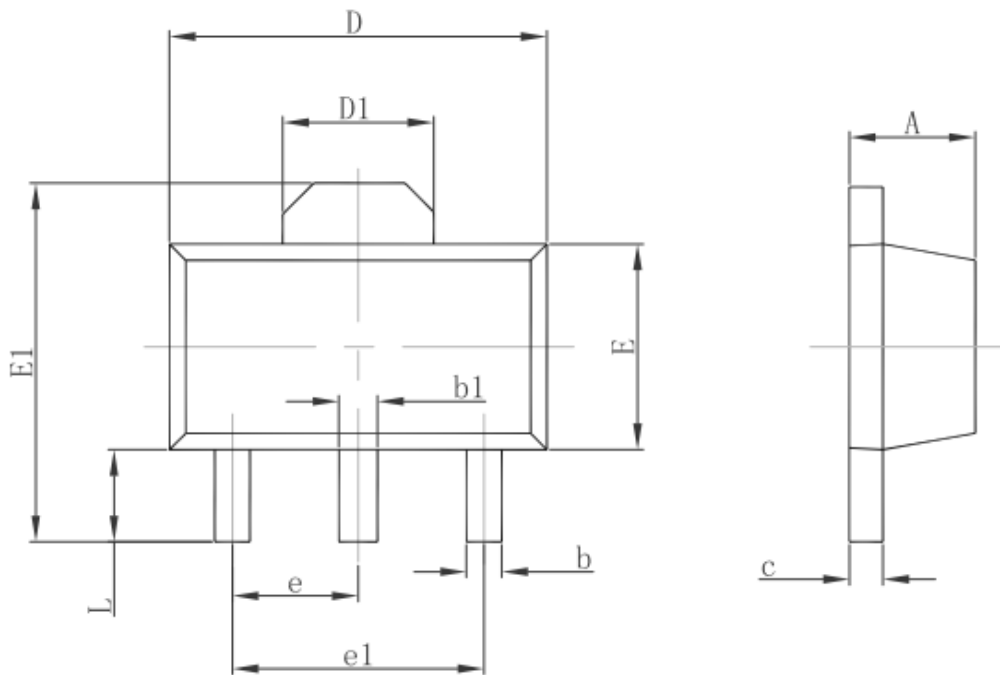


Symbol	Dimensions In Millimeters		Dimensions In Inches	
	Min	Max	Min	Max
A	1.050	1.250	0.041	0.049
A1	0.000	0.100	0.000	0.004
A2	1.050	1.150	0.041	0.045
b	0.300	0.500	0.012	0.020
c	0.100	0.200	0.004	0.008
D	2.820	3.020	0.111	0.119
E	1.500	1.700	0.059	0.067
E1	2.650	2.950	0.104	0.116
e	0.950(BSC)		0.037(BSC)	
e1	1.800	2.000	0.071	0.079
L	0.300	0.600	0.012	0.024
theta	0°	8°	0°	8°



EC9118 Synchronous Step-Up DC-DC Converter with PFM Control

3-pin SOT89-3 Outline Dimensions

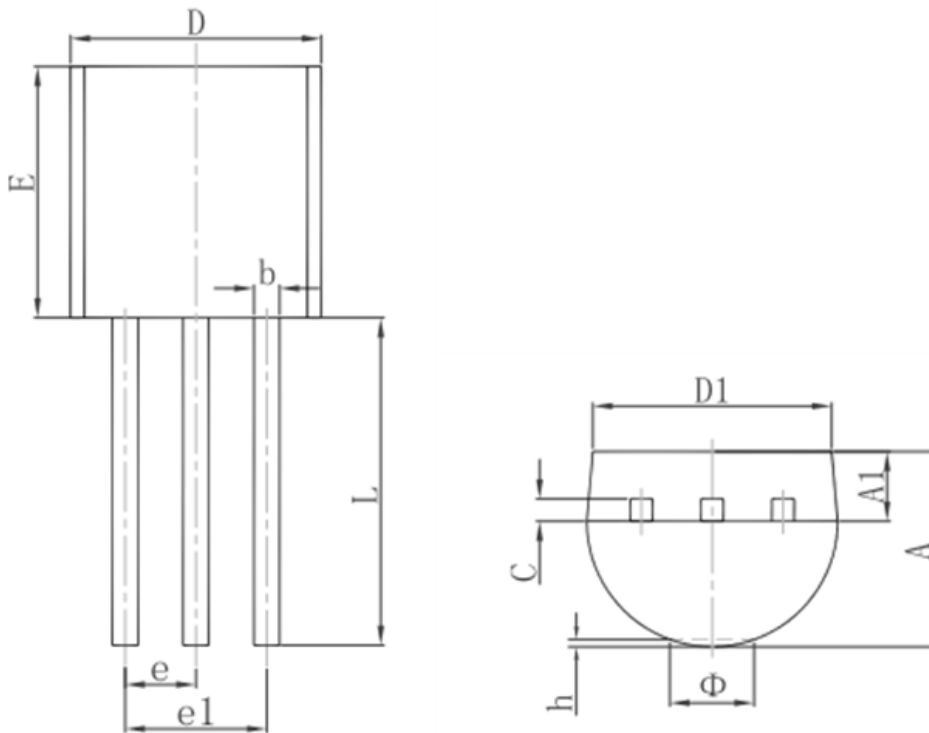


Symbol	Dimensions In Millimeters		Dimensions In Inches	
	Min.	Max.	Min.	Max.
A	1.400	1.600	0.055	0.063
b	0.320	0.520	0.013	0.020
b1	0.400	0.580	0.016	0.023
c	0.350	0.440	0.014	0.017
D	4.400	4.600	0.173	0.181
D1	1.550 REF.		0.061 REF.	
E	2.300	2.600	0.091	0.102
E1	3.940	4.250	0.155	0.167
e	1.500 TYP.		0.060 TYP.	
e1	3.000 TYP.		0.118 TYP.	
L	0.900	1.200	0.035	0.047



EC9118 Synchronous Step-Up DC-DC Converter with PFM Control

3-pin TO92 Outline Dimensions



Symbol	Dimensions In Millimeters		Dimensions In Inches	
	Min.	Max.	Min.	Max.
A	3.300	3.700	0.130	0.146
A1	1.100	1.400	0.043	0.055
b	0.380	0.550	0.015	0.022
c	0.360	0.510	0.014	0.020
D	4.300	4.700	0.169	0.185
D1	3.430		0.135	
E	4.300	4.700	0.169	0.185
e	1.270 TYP.		0.050 TYP.	
e1	2.440	2.640	0.096	0.104
L	14.100	14.500	0.555	0.571
Φ		1.600		0.063
h	0.000	0.380	0.000	0.015